

PRODUCT SPECIFICATION

FA-501T3

SPECIFICATIONS

Product information

Air volume	0~1000m ³ /h
Application area	80~150m ²
Shell material	Metal material
Weight	21.5 kg
Product size	730*450*280 mm
Noise	≤50 dB
Filter type	High efficiency filter Filter bag (optional)

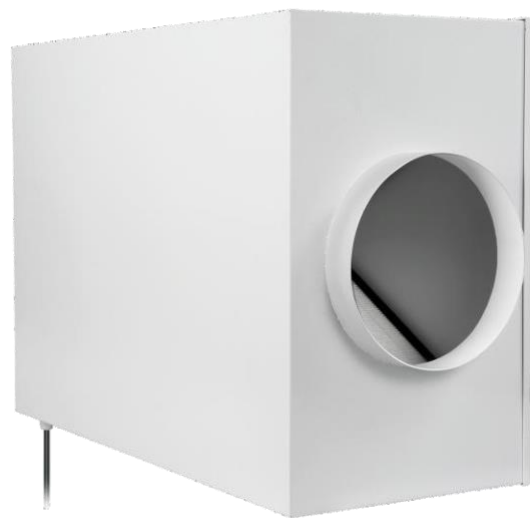
Electrical

Rated Voltage	220V AC / 240V AC
Frequency	50 / 60 Hz
Power	150 W

Internal Fuse/overload safety protection design and Power dual protection

Ionization Tube

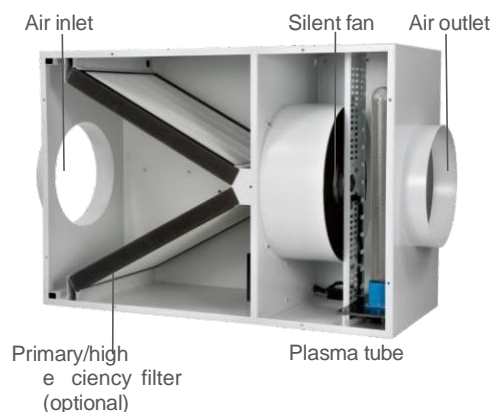
Quantity	1 pcs
Size	350 mm
Estimated Tube Life	17000 Hours
Material	Various composite materials, stainless steel outer mesh



APPLICATION

FA-501T3 Air plasma + fresh air disinfection machine is suitable for use in office buildings, restaurants, offices, schools, hospitals, nursing homes, public places, toilet basements, Internet cafes, commercial facilities, insufficient fresh air, enclosed spaces and prone to odor or bacteria Places, etc. The equipment will be commissioned and installed according to the recommendations of our Air engineers.

Optional accessories: remote control, ion quantity control system



Control Box (external)

