

# PRODUCT SPECIFICATION

# FA-504T-V

## SPECIFICATIONS

### Product information

Adaptive air volume	6500 CFM (11000 m³/h)
Application area	400 m²
Shell material	Metal material
Weight	5.8 kg
Product size	280*280*460 mm
Noise	≤20 dB

### Electrical

Rated Voltage	220V AC / 240V AC
Frequency	50 / 60 Hz
Power	20 W

Internal Fuse/overload safety protection design and Power dual protection

### Ionization Tube

Quantity	4 pcs
Size	350 mm
Estimated Tube Life	17000 Hours
Material	Various composite materials, stainless steel outer mesh

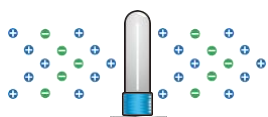
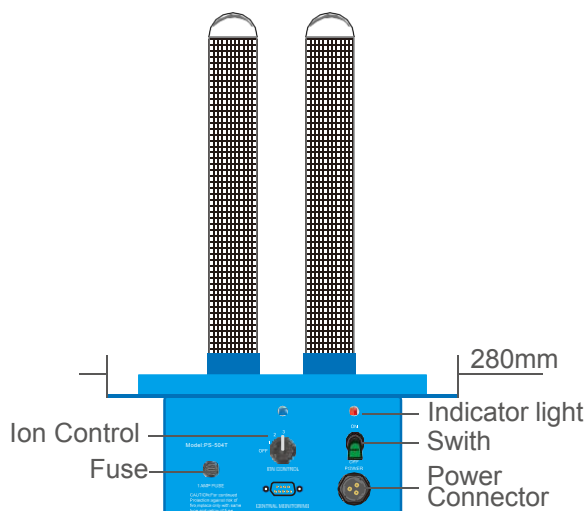
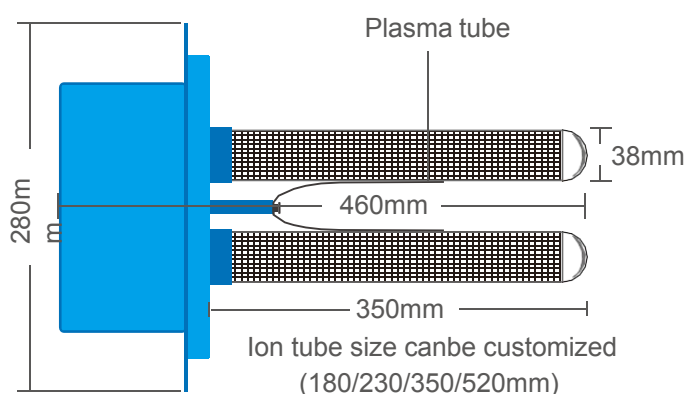


## APPLICATION

FA-504T-V Ionization system is designed to be mounted in the supply air duct or air handling system of a heating, cooling or ventilation system. Power to the unit can be controlled with an optional air pressure differential switch or interlocked with the HVAC fan operation, provided the power delivered to the unit does not exceed its rated voltage. Ionization intensity can be adjusted with a threestep knob on the unit. Power to the unit can be turned off at the unit or quick disconnect at the power cord.

Optional/Available:

- 1/Air Pressure Switch
- 2/Remote Monitoring Panel
- 3/Ions Intensity Control



- Plasma Ions Sterilization
- HCoV
- GX-P2V
- H1N1
- ASFV
- EV71
- HCHO
- TVOC
- PM2.5
- Odor
- Air Volume